

## Series 4WP2 and 4WP2T Worm Gear Power Winches

Up to 2000 lb capacity

- **115 Volt Single Phase Electric Motor** includes power cord with grounded plug and a momentary contact-type push button pendant control on a control cord.
- **Machine Cut Worm Gears** provide accurate operation and long lasting service.
- **Enclosed Oil Bath** provides continuous lubrication of gears to minimize wear. Oil seals keep oil in and dirt out.
- **Internal Mechanical Brake** provides positive load control for lifting and lowering operations.
- **Ball Bearings** and self-aligning bronze bearings provide smooth and efficient operation.
- **Pressure Plate** on series 4WP2T8 only, applies pressure to drum and wire rope to help maintain uniform winding.
- **Dual Function Cable Anchor** for quick disconnect of wire rope with swaged ball fitting, or recessed cable anchor with set screw for wire rope with unfinished end.
- **Mounting Options** include floor, wall, or ceiling.
- **Two-year Limited Warranty**



Model 4WP2T8-2000-8  
shown with wire rope

Wire rope assemblies  
sold separately

- **Cast Aluminum** construction, for lightweight strength.
- **Corrosion Resistant** durable paint finish protects against corrosion in harsh environments.
- **Large Diameter Drums** minimize wear to the wire rope and help extend its life.
- **Clutch Model** allows operator to manually disengage the drum to rapidly unwind wire rope. **Clutch models do not include pressure plates.**

### Series 4WP2 and 4WP2T – Performance Characteristics – Section 2

series	description	motor hp	load rating (lb)			wire rope dia. (in) <sup>1</sup>	line speed (fpm)		drum capacity (ft) <sup>2</sup>			approx. ship wt. (lb)
			1st layer	mid drum	full drum		1st layer	full drum	1st layer	mid drum	full drum	
4WP2 <sup>3</sup>	includes controls	1.3	2000	1500	1200	1/4	8	13	11	35	77	85
4WP2T8-2000-8 <sup>4</sup>	includes controls	1.3	2000	1200	800	1/4	8	19	19	130	280	101
	ATLAS winch – 8" drum – for pulling or lifting					5/16	8	19	15	85	190	
4WP2TC-2000-8 <sup>4</sup>	includes controls clutch model – 5.5" drum – for horizontal pulling only	1.3	2000	1200	800	1/4	8	19	12	87	190	106

**Motor Options** – standard motor is 115/1/60 VAC TEFC, for other configurations add motor code to model number when ordering.

Example: 4WP2T8-2000-8-PN (pneumatic winch)

A <sup>5</sup>	115 volt 1 phase – no controls or power cord – TENV
B <sup>5</sup>	230 volt 1 phase – no controls or power cord – TEFC
D <sup>5</sup>	230 volt 3 phase – no controls or power cord – TEFC
E <sup>5</sup>	460 volt 3 phase – no controls or power cord – TEFC
F	all other voltages or hertz
PN	8-vane air motor with controls (mounted)
DC	12 volt DC with 10 foot pendant control

<sup>1</sup> Minimum wire rope diameter is 1/4 inch.

<sup>2</sup> Actual drum capacities may be 25-30% less, due to nonuniform winding. Tension in wire rope will also affect drum capacity.

<sup>3</sup> Model 4WP2, 115 VAC motor includes 8 foot power cord with grounded plug, and push button pendant control on 6 foot cord.

<sup>4</sup> For 4WP2T8 and 4WP2TC, 115 VAC motor includes 16 foot power cord with grounded plug, and push button pendant control on 16 foot cord.

<sup>5</sup> Controls are sold separately for all non-standard electric motors (A, B, D, and E), see table below.

Please contact factory or nearest Thern Distributor for firm fixed price and delivery.

#### Notes:

- For more information and other control options, please see pages 46-47.
- Custom controls are available including wireless remote control, variable speed control, electronic overload, and enclosures for special environments.

### Control Options and Accessories – Section 2

model	description	approx. ship wt.
EL1CS <sup>6</sup>	NEMA 1 control switch – mounted and wired	3 lb
EL1CSW <sup>6</sup>	NEMA 4 watertight control switch – mounted and wired	7 lb
TPL-4WP2T8	Two Part Line Kit – not available for 4WP2 Series	4 lb

Please contact factory or nearest Thern Distributor for firm fixed price and delivery.

<sup>6</sup> Controls for 115 volt, single phase, 60 cycle include an 8 ft power cord with grounded plug.

See Dimensions on Next Page

**Options and Accessories**

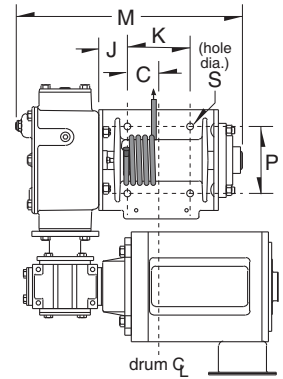
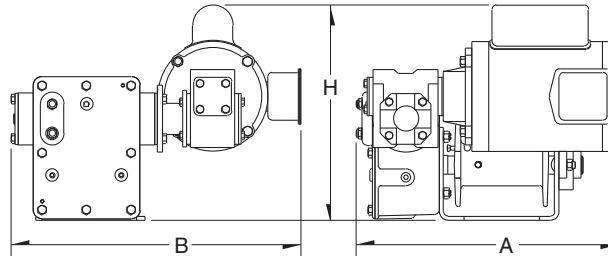
- **Emergency Hand Crank** for manual operation in case of power failure. Does not include handle.
- **Two Part Line Kit** to convert to double line rigging. **Not available for 4WP2 Series.**
- **Rotary Limit Switches** for secondary shut-off to limit load travel in one or two directions. **Not available on clutch models.**
- **Special Motors and Controls** including severe duty and explosion proof.
- **Special Finishes** for hazardous environments.
- **Torque Limiters** as part of the motor controls on electric models.

**Important:**

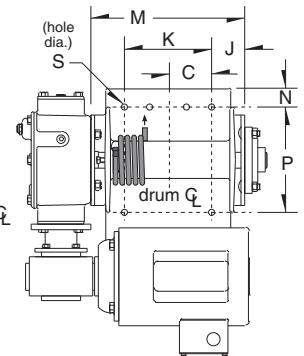
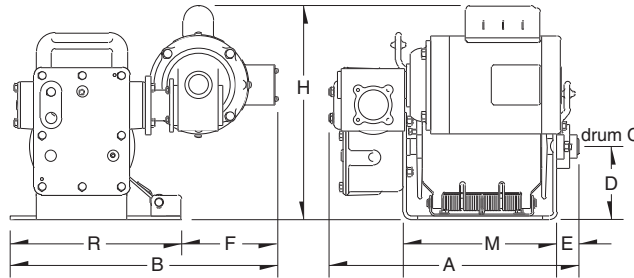
It is the owner's or operator's responsibility to determine the suitability of the equipment to its intended use. Study all applicable codes, manuals, and regulations. Be sure to read the Owner's Manual supplied with the equipment before operating it.

**Side View**
**Rear View**
**Top View**
**Series 4WP2**

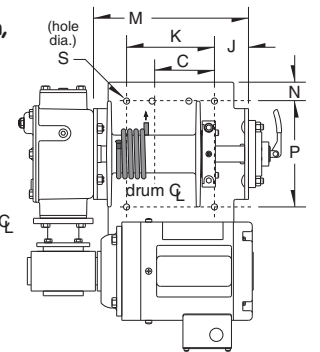
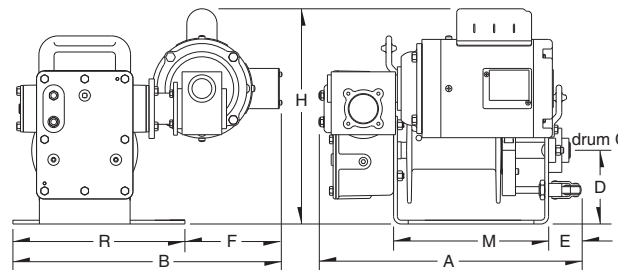
Install wire rope correctly as shown, or brake will not operate properly.


**Series 4WP2T8**

Install wire rope correctly as shown, or brake will not operate properly.


**Series 4WP2TC clutch models**

Install wire rope correctly as shown, or brake will not operate properly.


**Series 4WP2 and 4WP2T – Dimensions (in)**

model number	A <sup>1</sup>	B <sup>1</sup>	C	D	E	F	H <sup>1</sup>	J	K	M	N	P	R	S (hole dia.)
4WP2	15.63	17.28	1.72	–	–	–	12.84	1.72	3.75	13.50	–	4.00	–	.41
4WP2T8-2000-8	16.62	17.80	2.75	4.88	1.44	6.43	14.25	2.25	5.81	10.25	1.25	7.00	11.38	.41
4WP2TC-2000-8	17.34	17.80	4.02	4.88	2.16	6.43	14.25	2.25	5.81	10.25	1.25	7.00	11.38	.41

Dimensions are for reference only and subject to change without notice.

<sup>1</sup> Dimensions A, B and H may vary with motor selection.

**Series 4WP2 and 4WP2T – Drum Dimensions**

model extension	drum diameter	flange diameter	drum width	fleet angle distance <sup>2</sup>
4WP2	2.50 in	5.00 in	5.00 in	8 ft
4WP2T8-2000-8	2.50 in	7.00 in	8.00 in	13 ft
4WP2TC-2000-8	2.50 in	7.00 in	5.50 in	9 ft

Dimensions are for reference only and subject to change without notice.

<sup>2</sup> Recommended minimum distance between drum and lead sheave for smooth drum.

