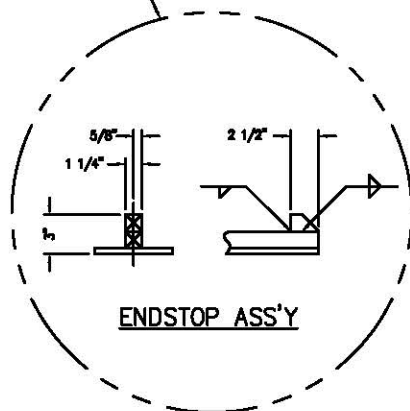


- PLAN VIEW -

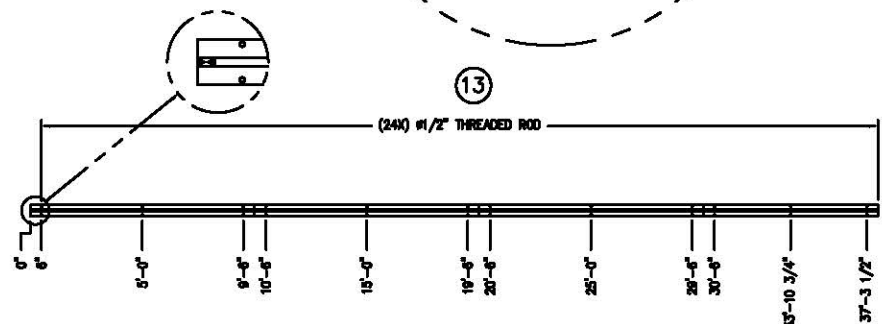
DIMENSIONS VARY PER APPLICATION

* - WARNING HORN & LIGHT TO BE MOUNTED IN THE AREA AS DETERMINED DURING DESIGN

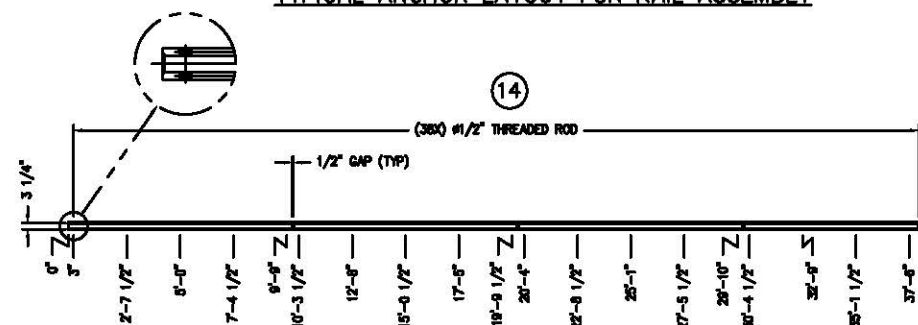
** - WALL MOUNTED CONTROL STATION "PLEASE ADVISE AS TO LOCATION"



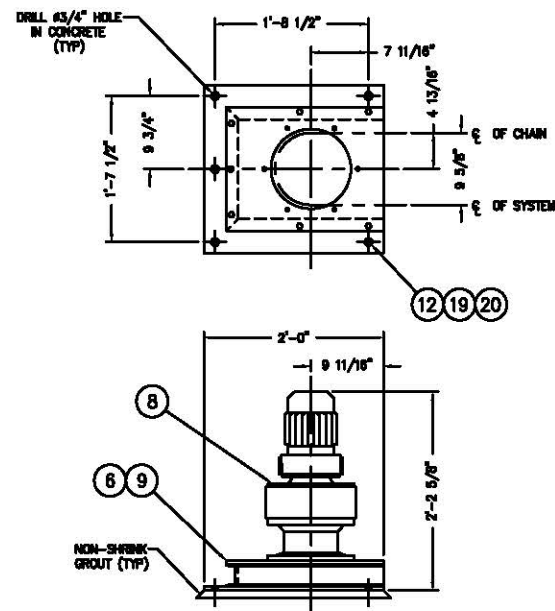
ENDSTOP ASS'Y



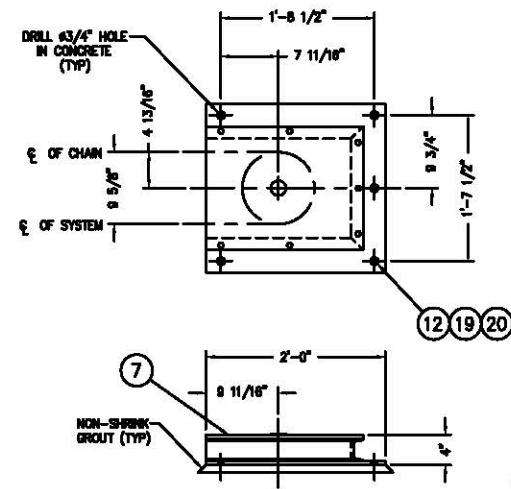
TYPICAL ANCHOR LAYOUT FOR RAIL ASSEMBLY



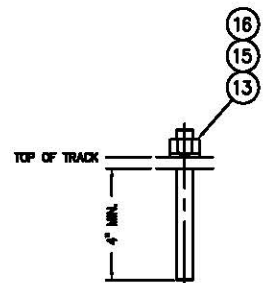
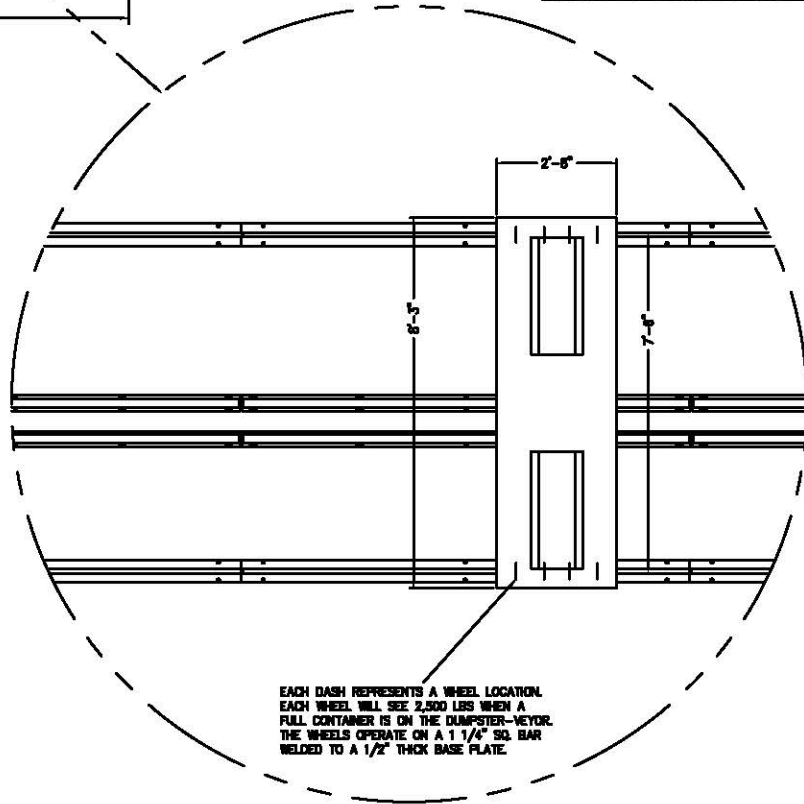
TYPICAL ANCHOR LAYOUT FOR CHAIN GUIDE



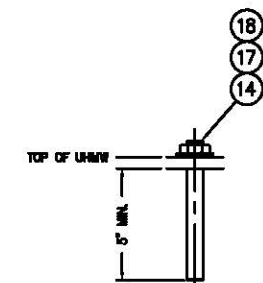
DRIVE BASE ASSEMBLY



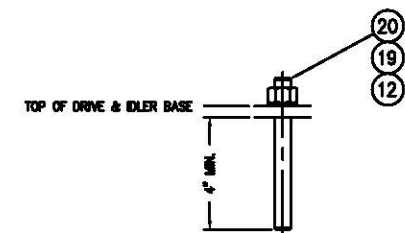
IDLER BASE ASSEMBLY



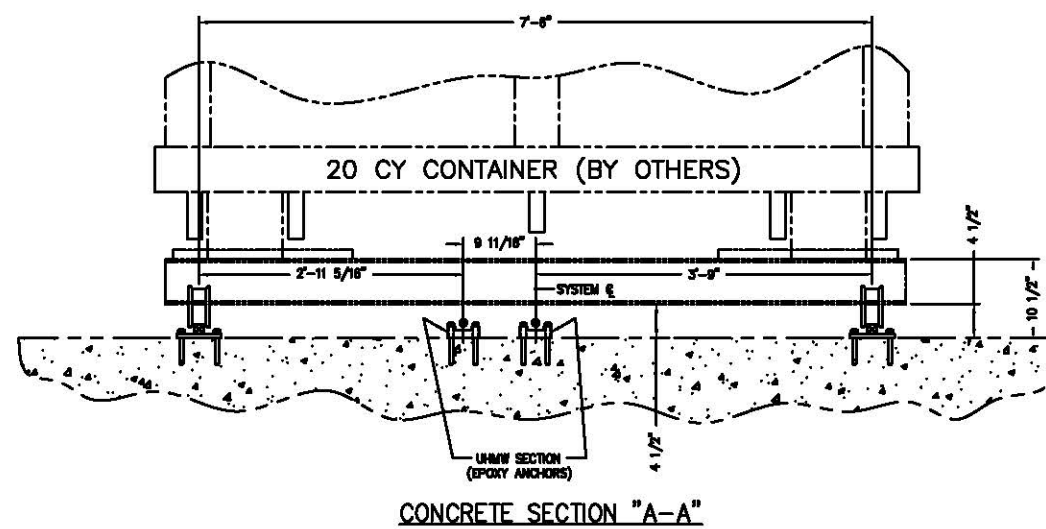
TYPICAL ANCHOR (STEEL TRACK)



TYPICAL ANCHOR (UHMW TRACK)



TYPICAL ANCHOR (DRIVE & IDLER BASE)



GENERAL NOTES:

- DRIVE & IDLER BASES AVAILABLE IN MILD OR STAINLESS STEEL.
WHEELS, AXLES, TROLLEY SIDE PLATES, TRACK, POCKET WHEELS, DRIVE CART, IDLER CARTS ARE AVAILABLE IN MILD OR STAINLESS STEEL.
ZINC PLATED:
DRIVE CHAIN ASSEMBLY
- PREP/PAINT SPECIFICATION: SSPC-SP10
SHERWIN-WILLIAMS (2) Coat Macropoxy
- FIELD WIRING TO BE BY OTHERS.

ITEM	QTY	DESCRIPTION
20	10	#3/4" FLAT WASHER (DRIVE & IDLER BASE)
19	10	3/4-10 HEX NUT (DRIVE & IDLER BASE)
18	80	#1/2" FLAT WASHER (UHMW GUIDE)
17	80	1/2-13 HEX HALF NUT (UHMW GUIDE)
16	48	#1/2" LOCK WASHER (STEEL TRACK)
15	48	1/2-13 HEX NUT (STEEL TRACK)
14	80	1/2-13 x 6" LG. ST. STL. ANCHOR
13	48	1/2-13 x 6" LG. ST. STL. ANCHOR
12	10	3/4-10 x 6" LG. ST. STL. ANCHOR
11	1	DRIVE CHAIN ASS'Y.
10	1	Nema 4X CONTROL ENCLOSURE (WALL MOUNTED)
9	2	TRAVEL PROXIMITY SWITCH
8	1	PYRAMIDAL TYPE FLANGE MOUNTED DOUBLE REDUCTION, BI DIRECTIONAL CYCLOID DRIVE OPERATING @ 18 FPM SINGLE SPEED (1 1/2 H.P. 1750 RPM) FRAME BRAKE FOR INDEPENDANT OPERATION, C-FACE ADAPTER, INPUT COUPLING, INTEGRAL DUAL ROTATION TORQUE LIMITER, BRAKE RESISTOR AND POCKET WHEEL ASSEMBLY
7	1	IDLER SHEAVE BASE ASS'Y.
6	1	DRIVE MOUNTING BASE ASS'Y.
5	1	IDLER CART ASS'Y.
4	1	DRIVE CART ASS'Y.
3	2	UHMW CHAIN GUIDE
2	-	-
1	2	RUNWAY TRACK - (37'-9 1/2" EACH)

APPROVED BY: _____
DATE: _____
VOLTAGE: 460-3-60 CONTROL: 115v

NOTE: UNLESS OTHERWISE STATED, ALL FIELD WORK, BUILDING SYSTEMS, MATERIALS AND FINISHES TO BE BY OTHERS. THE CONTRACTOR SHALL BE RESPONSIBLE FOR OBTAINING ALL NECESSARY PERMITS AND APPROVALS FROM ALL AGENCIES AND AUTHORITIES. THE CONTRACTOR SHALL BE RESPONSIBLE FOR OBTAINING ALL NECESSARY PERMITS AND APPROVALS FROM ALL AGENCIES AND AUTHORITIES. THE CONTRACTOR SHALL BE RESPONSIBLE FOR OBTAINING ALL NECESSARY PERMITS AND APPROVALS FROM ALL AGENCIES AND AUTHORITIES.

D.R. CORDELL & ASSOC., INC.
CHALFONT, PA 18914 215-822-9348

CLEARANCE DRAWING
20 CUBIC YARD DUMPSTER-VEYOR

DATE	BY	CHKD BY	APP'D BY
01/15/14	RJR		
01/15/14			
01/15/14			

SCALE 1/4"=1'-0" JOB NO. DV-2 SINGLE SYSTEM SHEET 1 OF 1